

LEISTER

PROCESS HEAT

Industrial
processes
with hot-air.

Diverse and
efficient.



Here is just a small selection of the almost limitless applications for which Leister hot-air systems can be used in industrial processes:

prewarming and heating

for example continuous heat-treating furnaces or metal parts

shrinking

for example packaging foils or shrink sleeves

welding

for example continuous joining of PE foils

activating or detaching

for example hot-melt adhesive

igniting and burning

for example wood chips and pellets

removing

for example plastic punch press burrs

separating or fusing

for example synthetic fabrics

pasteurizing and sterilizing

for example injection needles, bottles or packaging materials

smoothing and shining

for example tablet coatings or cosmetics

accelerating

for example mixing processes

dissolving

for example foam arising from filling

connecting

for example metal parts with plastic rivets

simulating

for example long-term trials of roller bearings

de-icing

for example ventilation fins in cooling plants

inspecting

for example functional inspection of temperature sensors

Leister. Another word for hot-air in industrial applications.

Leister hot-air systems are used in numerous industrial production processes today. There is hardly an industry which does not profit from our diverse advantages – whether through cost-effectiveness or because many processes simply become more efficient with hot-air.

Know-how

The decades of experience in plastics processing and in industrial processes make us the ideal hot-air technology partner.

Consulting

As worldwide market leader with our network of more than 120 sales and service centers in more than 60 countries, we are always local and can optimally consult you just where you are.

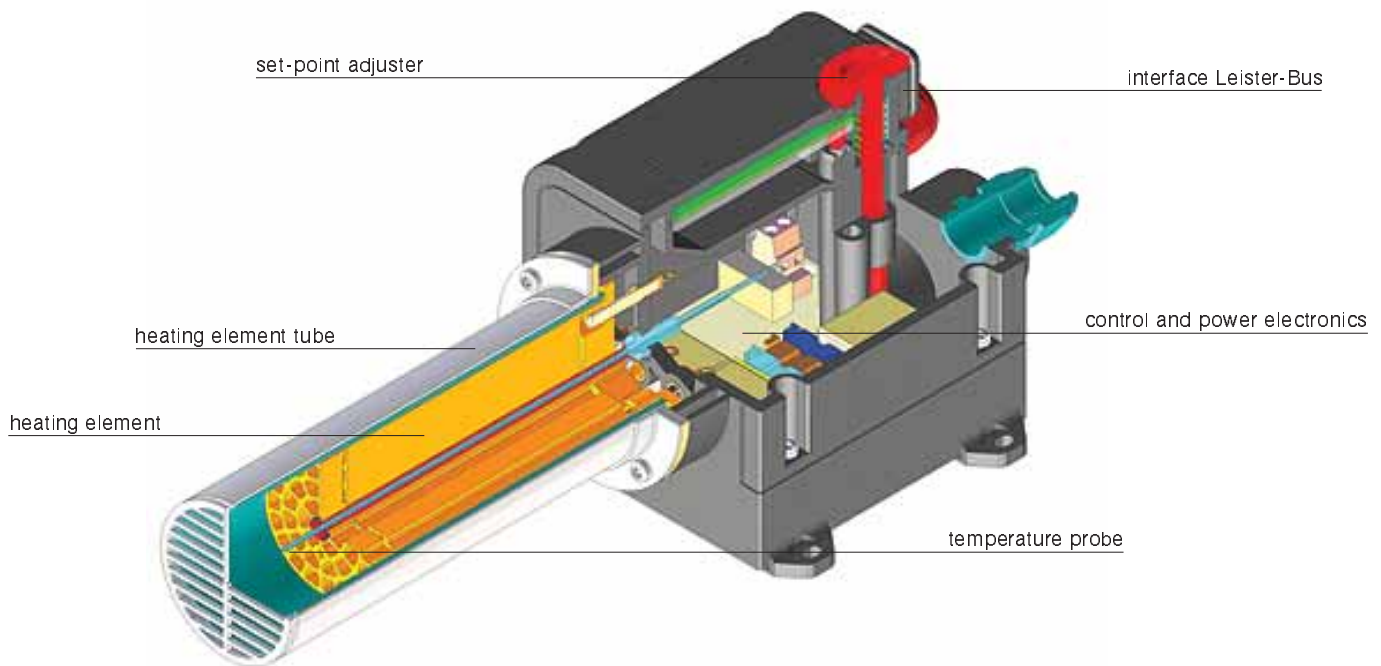
Development

We constantly develop our products. Our customers therefore profit from supreme quality, reliability, performance and even more cost-effectiveness.

Extensive Leister product range

Every hot-air application in industrial processes can be matched with products from Leister. Our extensive product range includes:

- Innovative, system-compatible air heaters
- Powerful, robust blowers
- Compact, flexible hot-air blowers
- Comprehensive range of accessories



Hot parts: the new LHS air heaters from Leister

Yet again we prove our competence with a decisive innovation. The completely new developed LHS air heaters are truly special as a result of their integration of overheating protection, temperature probe, temperature controller, power electronics and interface to the Leister-Bus.

Leister hot-air technology: proved thousands of times.

On this double page we present some examples of practical applications for your inspiration. It is quite possible that your special application is not included. If you just ask the staff we have trained at your local Leister sales and service center. They will help you find the ideal solution.

Furniture production: Smooth edges are a feature of quality workmanship. That is why numerous furniture producers use hot-air blowers from Leister to activate the hot-melt adhesive at the right temperature.



Automobile industry: To permanently bond car doors and plastic trim, plastic rivets have to be heated and the rivet heads formed with cold dies. Using several Leister LE MINIs, the individual rivets can be heated simultaneously with pinpoint precision – a process that has proven itself in practice and is deployed by renowned automobile manufacturers.



Brewing and beverage industry: Wine producers are increasingly replacing metal caps (containing lead) with caps made of shrinkable plastic. A shell reflector can easily be integrated into the filling plant with a Leister HOTWIND S or an LHS series air heater and a suitable blower. The hot-air can precisely be regulated in such a manner that perfect shrinking is guaranteed.



Packaging industry: Whatever is packaged in tubes is welded with hot air after filling. Ideally with Leister – and the welding seam holds even under pressure – guaranteed.



Pharmaceutical industry: Test needles are not only sterilized with steam but also with a Leister LE MINI. Just as reliably. But much easier, much faster – and above all much cheaper.

Food industry: Thanks to Leister, the PE-coated milk carton can be dried, sterilized and welded.



Pad printing: Time is money! Printing ink must therefore dry quickly in order that the printed products (by pad in this case) can be further processed. Leister supports the printing industry with quiet hot-air blowers and special reflectors, which adapt quickly to process changes.



Electrical industry: Baked varnish wire ensures that transformers do not buzz. And a finely concentrated stream of hot-air ensures that the wire layers melt at exactly the right temperature during winding.

Mechanical engineering: Gear rings can be slid onto the axles without problems if they have previously been heated by a stream of hot-air supplied by Leister.



Construction industry: Roofing tiles are additionally coated so the roof stays sealed longer. Tunnels, in which the roofing tiles are dried with several high-performance Leister air heaters, ensure the production line flows.



Food industry: Bakery products keep longer when they are sterilized prior to packaging. Customized reflectors and electronically controlled air heaters from Leister guarantee that only bacteria lose their appetite and not the customers.

Logistics: To ensure the stack holds, a PE shrink film cover is placed over it and shrunk with a Leister hot-air blower.



Food industry: To make sure that delicacies can also be visually savored, they are smoothed after production. With electronically controlled hot-air from Leister.

Mechanical engineering: Will the part hold up? And for how long? The lifetime of critical components at different temperatures, loads and rotational speeds must be determined on the test rig. Leister hot-air technology really gets things heated up.



Food industry: Coffee can also be roasted with hot-air from Leister. To ensure nothing burns, the temperature is precisely controlled.



Trendsetters: the new LHS air heaters from Leister.

As world first innovation, all the products in the LHS lines (Leister Heat Source) stand out by virtue of their electronic device and heating-element protection. The LHS PREMIUM line also includes a temperature probe as well as fully integrated temperature regulation and power electronics. Our new flagship, the LHS SYSTEM line, also offers direct connection to the Leister-Bus and thereby to external Leister operating units.

The absolutely new LHS range of air heaters comprises the three lines – LHS CLASSIC, LHS PREMIUM and LHS SYSTEM.



LHS CLASSIC
with device and heating-
element protection

LHS PREMIUM
with integrated device and
heating-element protection,
temperature probe, tempera-
ture controller and power
electronics

LHS SYSTEM
with integrated device and
heating-element protection,
temperature probe, temperature
controller, power electronics
and Leister-Bus connection

Air heaters

LHS CLASSIC-line

The products in the LHS CLASSIC-line already include an integrated overheating detection for the device and heating element. They are deployed in applications in which temperature regulation is not required.



LHS CLASSIC 20S



LHS CLASSIC 40L



LHS CLASSIC 60L

- Integrated overheating detection for the device and heating element with alarm output
- Small dimensions, big performance
- Suitable for simple applications
- Compatible with the existing Leister blower and nozzle range

Technical data LHS CLASSIC-line

LHS CLASSIC 20S:

Voltage	V~	100	120	200	230
Power consumption	kW	1 2	1 2	1 2	1 2
Min. air flow	l/min	200			
Size heater tube	mm	Ø 36.5			
Size air inlet	mm	Ø 19.5			
Size (L x W x H)	mm	252 x 97 x 87			
Weight	g	550			
Protection class II		□			

LHS PREMIUM and SYSTEM CLASSIC 40S:

Voltage	V~	100	120	200	230
Power consumption	kW	2	2	2 4	2 4
Min. air flow	l/min	300			
Size (L x W x H)	mm	261 x 112 x 98			
Weight	g	850			

LHS CLASSIC 40L:

Voltage	V~	3 x 230	3 x 400	3 x 440	
Power consumption	kW	2 4	2 4	2 4	
Min. air flow	l/min	400			
Size (L x W x H)	mm	291 x 112 x 98			
Weight	g	950			

Size heater tube	mm	Ø 50			
Size air inlet	mm	Ø 38			
Protection class II		□			

LHS CLASSIC 60S:

Voltage	V~	3 x 230	3 x 400	3 x 440	3 x 480
Power consumption	kW	4 6	4 6	4 6	4 6
Min. air flow	l/min	600			
Size heater tube	mm	Ø 62			
Weight	g	3150			

LHS CLASSIC 60L:

Voltage	V~	3 x 230	3 x 400	3 x 440	3 x 480
Power consumption	kW	8 10	8 10 12 14 16	8 10 12 14 16	8 10 12 14 16
Min. air flow	l/min	600			
Size heater tube	mm	Ø 92			
Weight	g	3650			

Size air inlet	mm	Ø 60			
Size (L x W x H)	mm	379 x 114 x 137			
Protection class I		⊕			

For all models:

Max. temperature	°C	600
Frequency	Hz	50 / 60
Mark of conformity		CE
Mark of approval		Ⓢ
Certification scheme		CCA

Air heaters

LHS PREMIUM-line

With their integrated temperature probe, temperature controller and power electronics, the LHS PREMIUM-line devices guarantee a very high level of process reliability. The temperature is steplessly adjustable with the potentiometer. The built-in device and heating-element protection ensures that the air heaters are not damaged by excess temperature even under exceptional circumstances. An upgrade to the LHS SYSTEM-line is possible at any time.



LHS PREMIUM 20S



LHS PREMIUM 40L



LHS PREMIUM 60L

- Temperature steplessly adjustable
- Built-in temperature probe
- Fully integrated temperature controller
- Integrated device and heating-element protection with alarm output
- High process reliability
- Small dimensions, big performance
- Upgrade to the LHS SYSTEM-line possible
- Compatible with the existing Leister blower and nozzle range

Air heaters

LHS SYSTEM-line

The highly integrated and easy to operate LHS SYSTEM-line leaves no wish unfulfilled. The air heaters can be externally configured and monitored via the Leister-Bus. As with the LHS PREMIUM-line, the temperature probe, temperature controller and power electronics, as well as device and heating-element protection, are also built-in. With the LHS SYSTEM-line and its operating units and interfaces, you know the status of your air heaters at all times.



LHS SYSTEM 20S



LHS SYSTEM 40L



LHS SYSTEM 60L

- Simple installation of the Leister-Bus with standard network cables (RJ45 connectors)
- Temperature steplessly adjustable
- Integrated probe and temperature controller
- Integrated device and heating-element protection with alarm output
- High process reliability
- Small dimensions, big performance
- Compatible with the existing Leister blower and nozzle range

Technical data PREMIUM- und SYSTEM-lines

LHS PREMIUM 20S and SYSTEM 20S:

Voltage	V~	100	120	200	230
Power consumption	kW	1 2	1 2	1 2	1 2
Min. air flow	l/min	200			
Size heater tube	mm	Ø 36.5			
Size air inlet	mm	Ø 19.5			
Size (L x W x H)	mm	252 x 97 x 87			
Weight	g	650			
Protection class II		□			

LHS PREMIUM 40S and SYSTEM 40S:

Voltage	V~	100	120	200	230
Power consumption	kW	2	2	2 4	2 4
Min. air flow	l/min	300			
Size (L x W x H)	mm	261 x 112 x 103			
Weight	g	950			

LHS PREMIUM 40L and SYSTEM 40L:

Voltage	V~	3 x 230	3 x 400	3 x 440
Power consumption	kW	2 4	2 4	2 4
Min. air flow	l/min	300		
Size (L x W x H)	mm	291 x 112 x 103		
Weight	g	1050		

LHS PREMIUM 60S and SYSTEM 60S:

Size heater tube	mm	Ø 50		
Size air inlet	mm	Ø 38		
Protection class II		□		

LHS PREMIUM 60S and SYSTEM 60S:

Voltage	V~	3 x 230	3 x 400	3 x 440	3 x 480
Power consumption	kW	4 6	4 6	4 6	4 6
Min. air flow	l/min	400			
Size heater tube	mm	Ø 62			
Weight	g	3250			

LHS PREMIUM 60L and SYSTEM 60L:

Voltage	V~	3 x 230	3 x 400	3 x 440	3 x 480
Power consumption	kW	8 10	8 10 12 14 16	8 10 12 14 16	8 10 12 14 16
Min. air flow	l/min	600			
Size heater tube	mm	Ø 92			
Weight	g	3750			

LHS PREMIUM 60L and SYSTEM 60L:

Size air inlet	mm	Ø 60		
Size (L x W x H)	mm	379 x 114 x 137		
Protection class I		⊕		

For all models:

Max. temperature	°C	700
Frequency	Hz	50 / 60
Mark of conformity		CE
Mark of approval		Ⓢ
Certification scheme		CCA

Operating units and interfaces for the LHS SYSTEM line

LHS SYSTEM TSS (Terminal Single Source)



Operating unit for configuration and monitoring of all parameters of a single LHS SYSTEM-line air heater. Digital display of set and actual temperature value.

LHS SYSTEM TMS (Terminal Multi Source)



Operating unit for configuration and monitoring of all parameters of up to 15 LHS SYSTEM-line air heaters. Digital display of set and actual temperature value for each air heater.

LHS SYSTEM BCM (Bus Connector Module)



Analogue interface to control a single LHS SYSTEM-line air heater using external operating units (e.g. PLC/SPC). The LHS SYSTEM BCM may be mounted on the standard bearing rail EN 50022-35.

Our classics: the tried-and-tested air heaters from Leister.

Air heaters

LE MINI

The world's smallest air heater with integrated temperature probe. The LE MINI is especially well suited for hot-air riveting or for applications in which heat has to be applied with pinpoint accuracy. It is easy to fit even in the most confined spaces. The device can be used with air pressure of up to 0.2 MPa (2 bar). Two models and two power versions are available for selection – with or without sensor, and in 400 or 800 watt power classes.



- Extremely compact, robust built-in device
- Integrated device protection with alarm output
- Integrated temperature probe (LE MINI SENSOR)
- Integrated heating element protection (LE MINI SENSOR)
- Analogue interface to temperatur controller (LE MINI SENSOR)
- Precise point application
- High process reliability

Technical data LE MINI SENSOR

		Typ 400	Typ 400	Typ 800
Voltage	V~	120	230	230
Frequency	Hz	50 / 60	50 / 60	50 / 60
Power consumption	W	400	400	800
Max. temperature	°C	600	600	750
Min. air flow	l/min	10	10	10
Max. pressure	Pa	200 000 (2 Bar)		
Size (L x Ø)	mm	253 x 27	253 x 27	308 x 27
Size heater tube	mm	Ø 15	Ø 15	Ø 15
Weight	g	120	120	150
Mark of conformity		CE		
Mark of approval		S		
Certification scheme		CCA		
Protection class II		□		

Technical data LE MINI

		Type 400	Type 400	Type 800
Voltage	V~	120	230	230
Frequency	Hz	50 / 60	50 / 60	50 / 60
Power consumption	W	400	400	800
Max. temperature	°C	600	600	750
Min. air flow	l/min	25	25	30
Max. pressure	Pa	200 000 (2 Bar)		
Size (L x Ø)	mm	253 x 27	253 x 27	308 x 27
Size heater tube	mm	Ø 15	Ø 15	Ø 15
Weight	g	120	120	150
Mark of conformity		CE		
Mark of approval		S		
Certification scheme		CCA		
Protection class II		□		

Air heater

LE 40000

With heating power of up to 39 kW, the LE 40000 air heater is by far the most powerful device in Leister's program – it is deployed where high temperatures and high air-flow rates in continuous operation are required. With the extensive range of Leister accessories, including nozzles and controllers, it is adaptable to a diverse range of applications.



- High air flow rates at high temperatures
- Big performance – small dimensions
- Electronically controlled

Technical data LE 40000

Voltage	V~	3 x 220–230	3 x 380–440
Frequency	Hz	50 / 60	50 / 60
Power consumption	kW	25–28	29–39
Max. temperature	°C	650	700
Min. air flow	l/min	2200	2800–3700
Size heater tube	mm	∅ 160	
Size air inlet	mm	∅ 60 or ∅ 90	
Weight	kg	13.5	
Size (L x W x H)	mm	442 (447) x 312 x 306	
Mark of conformity		CE	
Mark of approval		Ⓢ	
Protection class I		Ⓜ	

KSR DIGITAL

The Leister temperature controller for the LE 40000 air heater, as well as the HOTWIND S and VULCAN E hot-air blowers. Together with the appropriate temperature measuring probe, the KSR DIGITAL can measure, display, adjust and regulate the air temperature of these devices.



Pure power: blowers from Leister.

No air without blowers! One blower often supplies several air heaters in industrial processes. Our four blowers distinguish themselves through their high power with compact construction. These durable and maintenance-free blowers are the result of uncompromising quality and decades of experience.

Medium pressure blower (Radial blower)

SILENCE

The name says it: with 61 dB(A), the SILENCE blower is a pussy-footer – and offers very respectable performance. Along with all Leister blowers it is well known for its dependability.



- Low noise emission
- High air flow
- Continuous operation
- Can be fitted in every position

Technische Daten

Voltage *	V~	⌋ 3 × 230	Δ 3 × 400
Power consumption	W	250	
Frequency	Hz	50 / 60	
Air flow (20°C)	l/min	4700 / 6000	
Stat. pressure	Pa	1000 / 1400	
Ambient temperature	°C	< 60	
Noise emission level	LpA (dB)	61	
Protection class (IEC 60529)		IP 54	
Air inlet (outside)	mm	Ø 80	
Air outlet (outside)	mm	Ø 60	
Weight	kg	9.0	
Size (L x W x H)	mm	280.5 x 289 x 280	
Mark of conformity		CE	
Protection class I		⊕	

* Single-phase operation with C = 12 µF (230 V~)

Medium pressure blower (Radial blower)

ASO

The air-flow giant in the Leister blower program. At 50 Hz the air output is 13500 l/min and 15900 l/min at 60 Hz. With the appropriate accessories, it supplies one or more Leister air heaters.



- High air flow
- Robust
- Continuous operation
- Can be fitted in every position

Technische Daten

Voltage	V~	⌋ 3 × 230	Δ 3 × 400
Power consumption	W	550	
Frequency	Hz	50 / 60	
Air flow (20°C)	l/min	13500 / 15900	
Stat. pressure	Pa	1600 / 2400	
Ambient temperature	°C	< 60	
Noise emission level	LpA (dB)	70	
Protection class (IEC 60529)		IP 54	
Air inlet (outside)	mm	Ø 134	
Air outlet (outside)	mm	Ø 90	
Weight	kg	15.0	
Size (L x W x H)	mm	357 x 387 x 368	
Mark of conformity		CE	
Protection class I		⊕	

High-pressure blower (Side-channel blower)

ROBUST

Versatile and operable at high ambient temperature up to 60°C. Despite its small dimensions, ROBUST is a real powerhouse. It offers great flexibility thanks to its extensive range of accessories.



- Compact construction – high performance
- Sound-suppressed
- Continuous operation
- Can be fitted in every position

Technische Daten			
Voltage *	V~	⌋ 3 × 230	Δ 3 × 400
Power consumption	W	250	
Frequency	Hz	50 / 60	
Air flow (20°C)	l/min	1200 / 1300	
Stat. pressure	Pa	8000 / 10500	
Ambient temperature	°C	< 60	
Noise emission level	LpA (dB)	62	
Protection class (IEC 60529)		IP 54	
Suction aperture (outside)	mm	Ø 38	
Blower aperture (outside)	mm	Ø 38	
Weight	kg	8.0	
Size (L × W × H)	mm	255 × 221 × 221	
Mark of conformity		CE	
Protection class I		⊕	

* Single-phase operation with C = 12 µF (230 V~)

High-pressure blower (Side-channel blower)

AIRPACK

If high air pressure is required, AIRPACK is the right answer. With high static pressure of up to 24 kPa at 50 Hz and 28 kPa at 60 Hz, the AIRPACK high-pressure blower offers unbelievable performance. With the appropriate accessories, several Leister air heaters can be supplied.

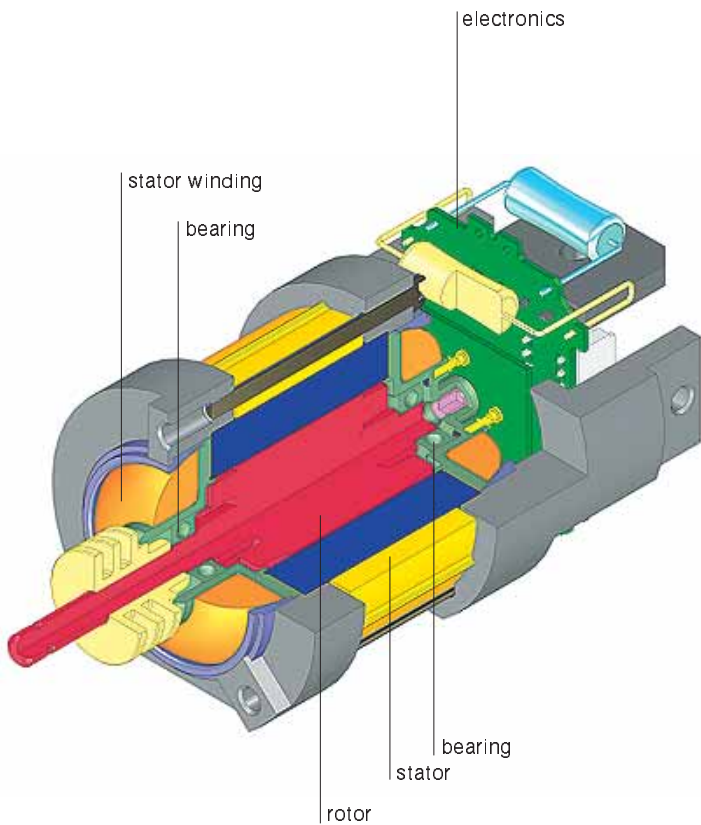


- High pressure
- Sound-suppressed
- Continuous operation
- Can be fitted in every position
- Air-inlet and outlet adapter can be mounted on both sides of the turbine

Technische Daten			
Voltage	V~	⌋ 3 × 230	Δ 3 × 400
Power consumption	W	2200	2200
Frequency	Hz	50 / 60	
Air flow (20°C)	l/min	3500 / 4100	
Stat. pressure	Pa	24 000 / 28 000	
Ambient temperature	°C	< 40	
Noise emission level	LpA (dB)	73	
Protection class (IEC 60529)	IP	54	
Air inlet (outside)	mm	Ø 60	
Air outlet (outside)	mm	Ø 60	
Weight	kg	25	
Size (L × W × H)	mm	345 × 335 × 345	
Mark of conformity		CE	
Protection class I		⊕	

The perfect combination: hot-air blowers from Leister.

Sometimes there is no space for a separate blower. Or a handy, mobile device is needed for preliminary testing. Or it is often necessary to switch from one small series production to another. There are many reasons for integrating blowers and air heaters into one device – into a hot-air blower.



Brushless and maintenance-free: the new blower motor for the MISTRAL

As a world first, Leister builds this brushless, high speed and compact motor. The conception for the direct mains supply and its innovative bearing technology make it predestined for continuous operation in harsh industrial environments.

Hot-air blower

MISTRAL

Its qualities become especially apparent where large quantities of heat in a limited space are required. It is so handy that even the most inaccessible places can be reached. Thanks to its new brushless motor, maintenance is reduced to an absolute minimum. That simply makes it a reliable, cost-effective and powerful device.



- Brushless blower motor for continuous operation
- Light and handy
- Deployable as a built-in device and a hand tool
- Temperature manually adjustable
- Large air flow and high temperature
- Integrated device and heating element protection
- Works in every fitting position
- Wide range of accessories

Technical data

Voltage	V~	120	200	230	230
Power consumption	W	2700	3000	2300	3400
Frequency	Hz	50 / 60			
Temperature	°C	20 – 650			
Air flow (20°C)	l/min	300			
Static pressure	Pa	2500 (25 mbar)			
Size heating tube	mm Ø	50			
Size (L × Ø)	mm	320 × 95, handle Ø 64			
Weight	kg	1.5 with 3 m cable			
Mark of conformity		CE			
Mark of Approval		E			
Certification scheme		CCA			
Protection class II		□			

Hot-air blower

HOTWIND S

With its weight of just 3.2 kg and its handle, HOTWIND S can be used both as a built-in or a hand tool. HOTWIND S is extremely versatile as a consequence of this great flexibility combined with a high maximum temperature of up to 800°C and a wide range of accessories.



- Deployable both as a built-in device as well as a hand tool
- Temperature and air flow manually adjustable
- Gentle hot-air stream
- Can easily be fitted in every position
- Low noise emission
- Continuous operation
- Wide range of accessories

Technical data						
Voltage	V~	100	120	230	230	380–440
Frequency	Hz	50 / 60	50 / 60	50 / 60	50 / 60	50 / 60
Power consumption	W	2000	2300	3100	3700	4000–5400
Temperature	°C	450	560	800	650	620
Air flow (20°C)	l/min.	450	450	350	550	600
Static pressure	Pa	200 (2 mbar)				
Size heating tube	mm	Ø 62				
Weight	kg	3.2 with 3 m cable				
Dimension (L)	mm	310	310	350	310	350
Size (W x H)	mm	172 x 99				
Mark of conformity		CE				
Mark of Approval		S				
Certification scheme		CCA				
Protection class II		□				

Hot-air blower

VULCAN E

The powerhouse among the hot-air blowers, its power speaks volumes. It is nevertheless compact and can be integrated into production processes without difficulties.



- High power
- Compact construction
- Easy to fit
- Continuous operation
- Can be fitted in every position
- Temperature and air flow manually adjustable
- Wide range of accessories


Technical data			
Voltage	V~	3 x 230	3 x 380–3 x 440
Frequency	Hz	50 / 60	50 / 60
Power consumption	kW	10.0	10.0–13.5
Temperature	°C	650	650
Air flow (20°C)	l/min	850 / 1500	950 / 1700
Static pressure	Pa	3100 / 4000 (3.1 / 4.0 mbar)	
Size heating tube	mm	Ø 92	
Weight	kg	9.3	
Size (L x W x H)	mm	384 x 254 x 231	
Mark of conformity		CE	
Mark of Approval		S	
Certification scheme		CCA	
Protection class I		⊕	


Leister Process Heat: the complete range at a glance.

The Leister product program for industrial hot-air applications is as wide as it is deep. It is modular and flexible and comprises air-heaters, blowers and hot-air blowers. Nozzles, reflectors, as well as operating units and controllers complement the range.

Air heaters

			
Air heaters with integrated basic electronics	LE MINI	LE MINI SENSOR	LHS CLASSIC 20S
Power consumption [kW]	0.4–0.8	0.4–0.8	1.0–2.0
Voltage [V~]	120–230	120–230	100–230

			
Air heaters with integrated controller and probe			LHS PREMIUM 20S
Power consumption [kW]			1.0–2.0
Voltage [V~]			100–230

			
Air heaters with integrated controller, probe and bus connection			LHS SYSTEM 20S
Power consumption [kW]			1.0–2.0
Voltage [V~]			100–230

Operating units, interfaces and temperature controllers

				
Model	LHS SYSTEM TSS	LHS SYSTEM TMS	LHS SYSTEM BCM	KSR DIGITAL
	Operating unit for a single LHS SYSTEM-line air heater	Operating unit for up to 15 LHS SYSTEM-line air heaters	Analogue interface for a single LHS SYSTEM-line air heater	Controller for LE 40 000, HOTWIND S and VULCAN E

Blowers

				
Model	SILENCE	ASO	ROBUST	AIRPACK
Air flow [l/min]*	4700	13500	1200	3500
Static pressure [Pa]*	1000	1600	8000	24000

* at 20 °C, 50 Hz

				
LHS CLASSIC 40S	LHS CLASSIC 40L	LHS CLASSIC 60S	LHS CLASSIC 60L	LE 40000
2.0-4.0	2.0-4.0	4.0-6.0	8.0-16.0	25-39
100-230	3 x 230-3 x 440	3 x 230-3 x 480	3 x 230-3 x 480	3 x 230-3 x 440

				
LHS PREMIUM 40S	LHS PREMIUM 40L	LHS PREMIUM 60S	LHS PREMIUM 60L	
2.0-4.0	2.0-4.0	4.0-6.0	8.0-16.0	
100-230	3 x 230-3 x 440	3 x 230-3 x 480	3 x 230-3 x 480	

				
LHS SYSTEM 40S	LHS SYSTEM 40L	LHS SYSTEM 60S	LHS SYSTEM 60L	
2.0-4.0	2.0-4.0	4.0-6.0	8.0-16.0	
100-230	3 x 230-3 x 440	3 x 230-3 x 480	3 x 230-3 x 480	

Hot-air blowers

			
Model	MISTRAL	HOTWIND S	VULCAN E
Power consumption [kW]	2.3-3.4	2.0-5.4	10.0-13.5
Voltage [V~]	120-230	100-440	3 x 230-3 x 440



Headquarter:

Leister Process Technologies
Riedstrasse
6060 Sarnen/Switzerland
phone: +41 41 662 74 74
fax: +41 41 662 74 16
leister@leister.com

China:

Leister Technologies Ltd.
Building A, 1588 Zhuanxing Road
Shanghai 201 108 PRC
phone: +86 (21) 6442 2398
fax: +86 (21) 6442 2338
leister@leister.cn



Our close worldwide network of more than 120 Sales and Service Centres in more than 60 countries.

Inside this flap please find the Leister accessory list
for industrial processes with hot-air.

We are unable to offer a guarantee if third-party blowers,
compressors or accessories are used.

Technical data are subject to change.